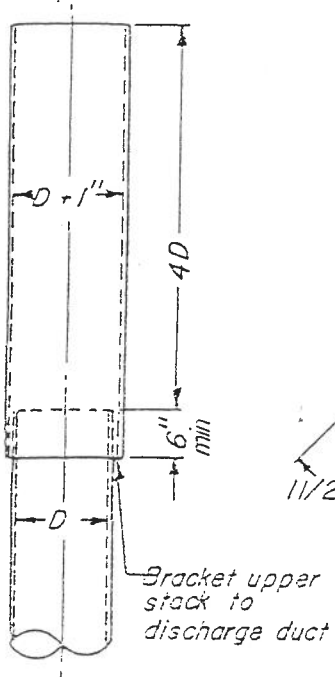
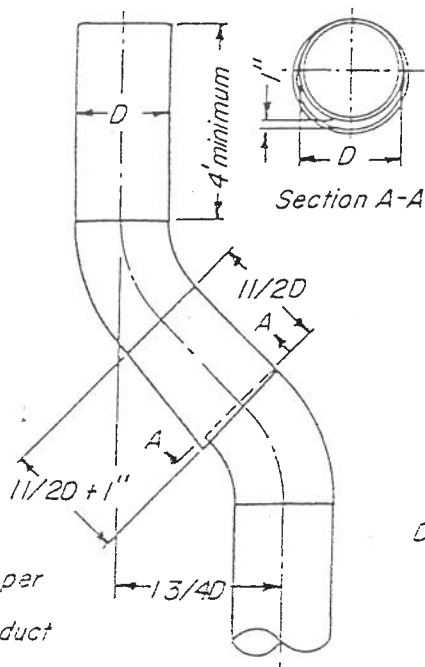


RECOMMENDED STACK DESIGNS



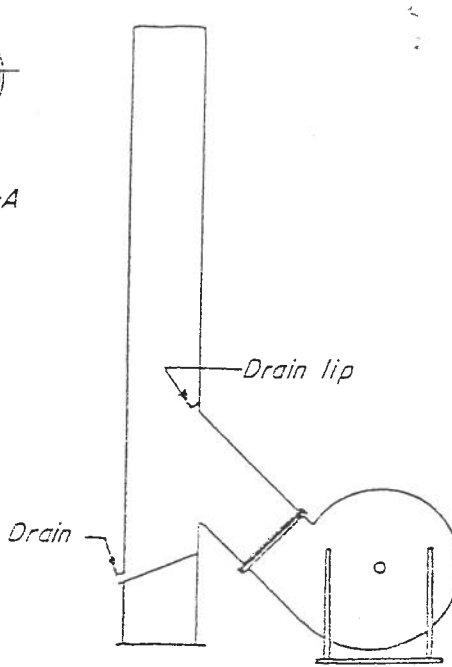
VERTICAL DISCHARGE ⁽⁸⁷⁾⁽¹¹⁵⁾

No loss

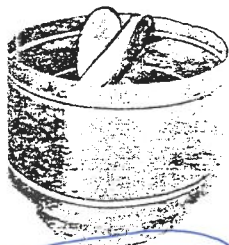


OFFSET ELBOWS ⁽¹⁰⁶⁾

Calculate losses due to elbows



OFFSET STACK ⁽¹⁰⁶⁾

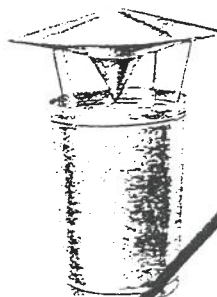


Combination automatic damper and weather canopy

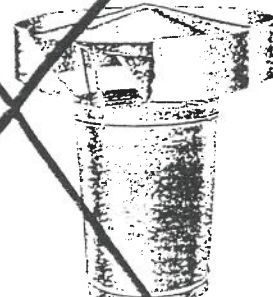
yes

NOT RECOMMENDED

Flat type roof flange Model Number	Shpg. Wt.	Pitched roof flange Model Number	Shpg. Wt.	Dia.
29-80	70 Lbs.	29-808	75 Lbs.	12"
29-29	80 Lbs.	29-33	95 Lbs.	18"
29-30	100 Lbs.	29-34	115 Lbs.	24"
29-31	130 Lbs.	29-35	150 Lbs.	34"
29-32	145 Lbs.	29-36	205 Lbs.	42"
29-344	160 Lbs.	29-345	260 Lbs.	48"



Weather canopy
Available on request



Weather Canopy with
rain guard
Available on request

Stationary

NOT RECOMMENDED